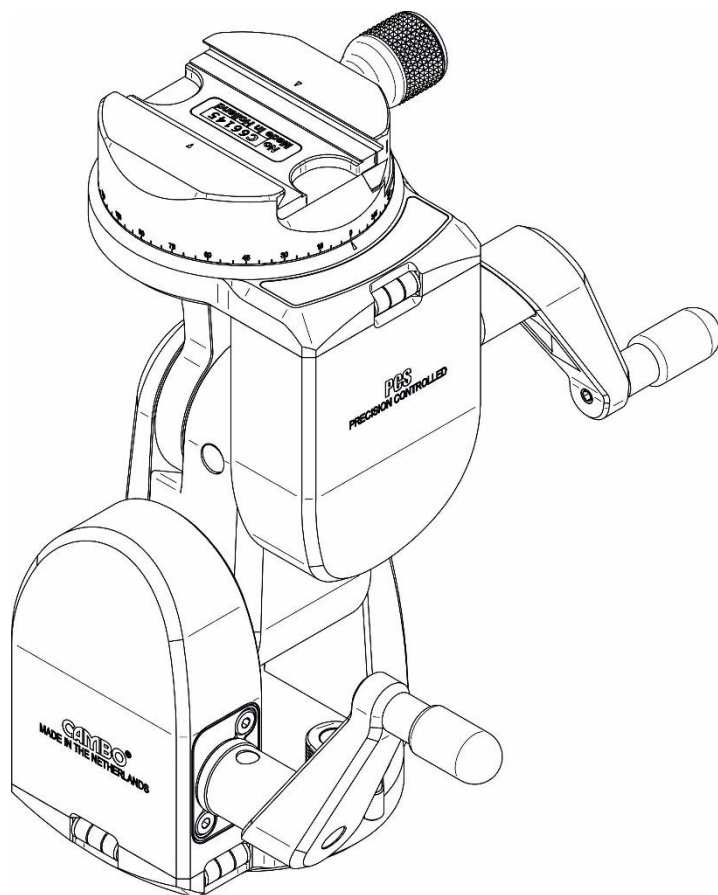


INSTRUCTION MANUAL

EN

Please read this manual carefully before using the PCS



Index

- 1 Key features 3
- 2 Warnings 3
- 3 PCS Studio gearhead overview 4
- 3.1 PCS controls 4
- 3.2 Applying the cranks and choosing the tripod mount thread 5
- 3.3 Tilting and pivoting 6
- 3.4 Rotating top and bottom 6

Thank you for purchasing a Cambo product.

The PCS is a heavy duty gearhead designed for the studio environment. It features geared movements around the X- and Y-axis as well as manual 360° Z-axis rotation at the top and bottom plate. The large controls express clear functionality.

1 Key features

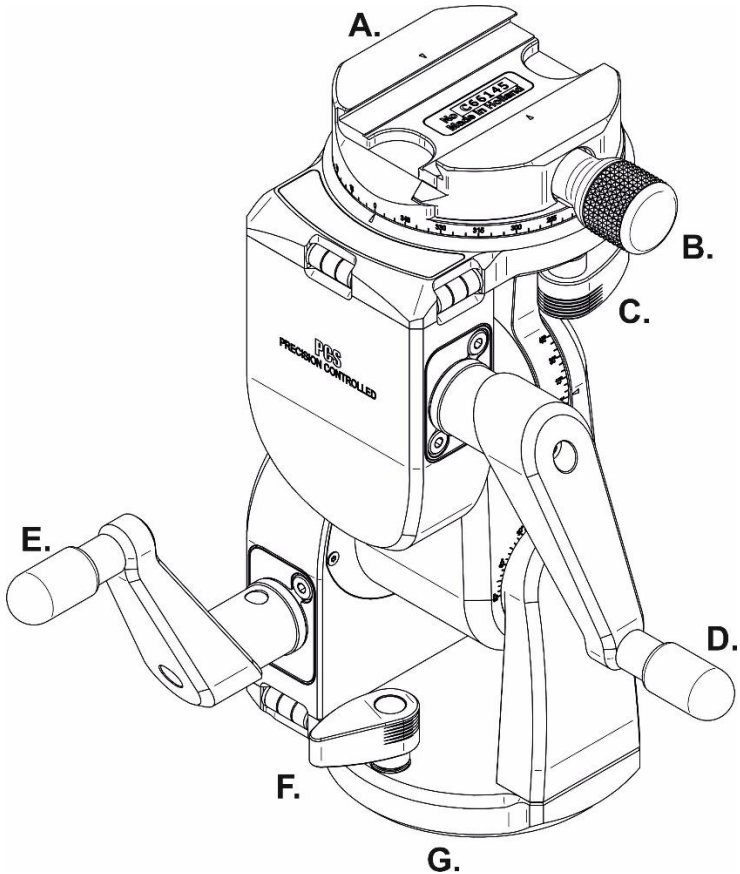
- 360° manual panning at top and bottom plate
- Position click indication every 90° at the top rotation plate
- 120° X-axis tilt (30° backwards 90°+ forward)
- 135° Y-axis pivot (45° left 90° right)
- Arca compatible dovetail clamp
- 4 large spirit levels
- Durable stainless steel 3/8" and optional 1/4" tripod mounting
- Removeable cranks for easier transportation
- High grade CNC milled aluminium body
- High precision laser engraved degree scales

2 Warnings

- ⚠ Always support the camera when unlocking the Arca compatible clamp.
- ⚠ Apply no more than 25Kg to the PCS.

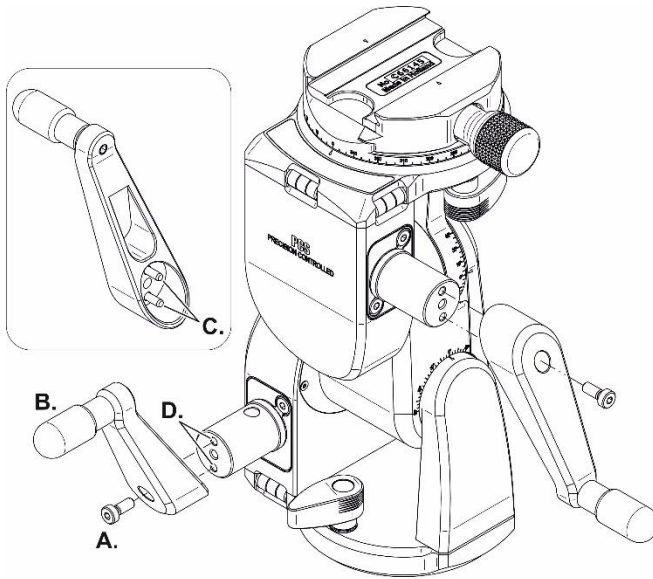
3 PCS Studio gearhead overview

3.1 PCS controls



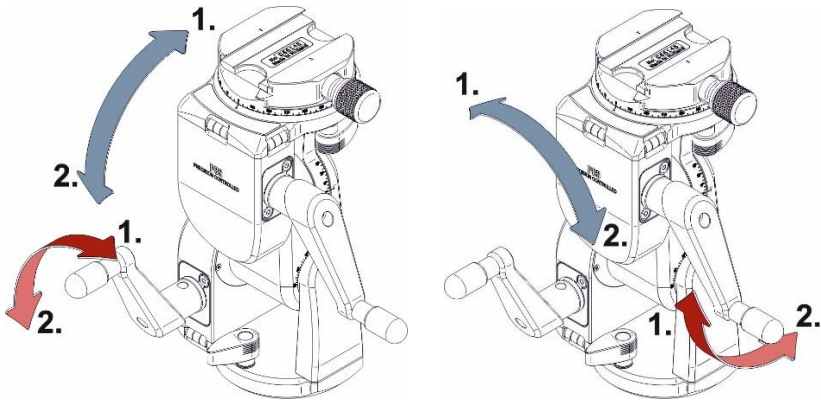
- A. Arca compatible dovetail clamp
- B. Arca clamp locking knob
- C. Top rotation plate locking knob
- D. Pivot adjustment crank
- E. Tilt adjustment crank
- F. Bottom rotation locking knob
- G. Bottom tripod mount (3/8")

3.2 Applying the cranks and choosing the tripod mount thread



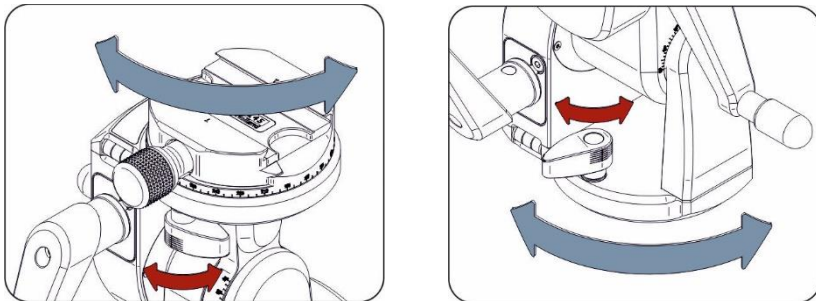
To apply the crank [B.] place pins [C.] of the crank inside the designated holes [D.] of the PCS. Use the M4x10 bolt [A.] and the supplied 2,5mm Allen key to firmly connect the cranks to the PCS through the central hole.

3.3 Tilting and pivoting



The PCS has two self-locking geared movements, tilt and pivot. To tilt the PCS rotate the bottom crank clockwise for tilting forward and counter clockwise for tilting backward. The maximum tilting movement is 90° forward tilt and 30° backwards tilt. To pivot the PCS rotate the top crank clockwise for pivoting to the left and counter clockwise for pivoting to the right. The maximum pivot movement is 90° left and 45° to the right.

3.4 Rotating top and bottom



To rotate the PCS at the top or bottom, loosen the corresponding locking lever. You can adjust the locking position of the knob by pulling it upwards to move the lever without locking or loosening the screw.

Cambo Fotografische Industrie B.V.

Cambo R&D April 2022

This instruction manual is prepared with care, although no responsibility, financial or otherwise, is accepted for any consequences related the information stated in this instruction manual. All specifications in this instruction manual are subject to change without notice.

For more information please visit the Cambo web site: www.cambo.com