

CAMBO



Master Plus

Master Plus

The Cambo Master Plus

New Yaw-Free Design

Mastery over any medium requires total control. In the world of professional photography, we speak of mastery in terms of depth of field, perspective and exposure controls. While all of these elements can be controlled with reasonable certainty with almost any view camera, only the most sophisticated cameras can perform these functions with the superior efficiency required by master photographers.

The Cambo Master Plus is just such a camera. But, for the very first time, total image control--with simple easy-to-understand adjustments, precisely measured movements and rugged dependability-- is available to ALL professional photographers at an affordable price.



NEW Distortion-Free controls!

Now, for the first time, an economically priced professional camera offers both optical-axis AND vertical-axis priority controls for trouble-free AND yaw-free results. The secondary base tilt movements of the Master Plus ensure easy sharpness and shape control--even while shooting products with the camera inclined. No more table-top focus shifts or image distortion. The Master Plus puts you in total control-- no matter what your subject-- with its uniquely separate vertical- AND optical-axis priority tilts, and does so quite economically!

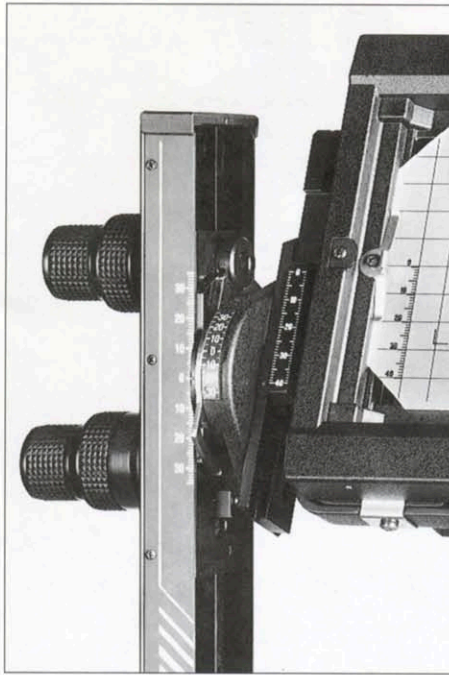
Performance AND Control Without Compromise!

The Master Plus performs all photographic functions quickly, easily and accurately. Its L-frame standards are designed for fast, single-handed operation, and time-saving, on-axis swings and tilts. Not only is the L-frame efficient, but it is also extremely structurally sound; designed to provide years of dependable service. Its precisely scaled controls are geared for smooth, critical handling of ALL movements, including vertical and horizontal shifts, swings and tilts. Convenient, tactile control-referencing is provided by "zero-position" click stops, and positive positioning is ensured by solid-locking knobs and levers.

All movements are precisely measured with accurate, easy-to-read scales, while "zero-position" click-stop detents offer easy-to-locate reference points. In addition to the Master's highly efficient design, it also is extremely structurally sound. Cambo's all-metal construction, built with state-of-the-art materials by computer-programmed machinery, offers the professional photographer years of dependable performance and steady service.

Guaranteed Depth-of-Field Control:

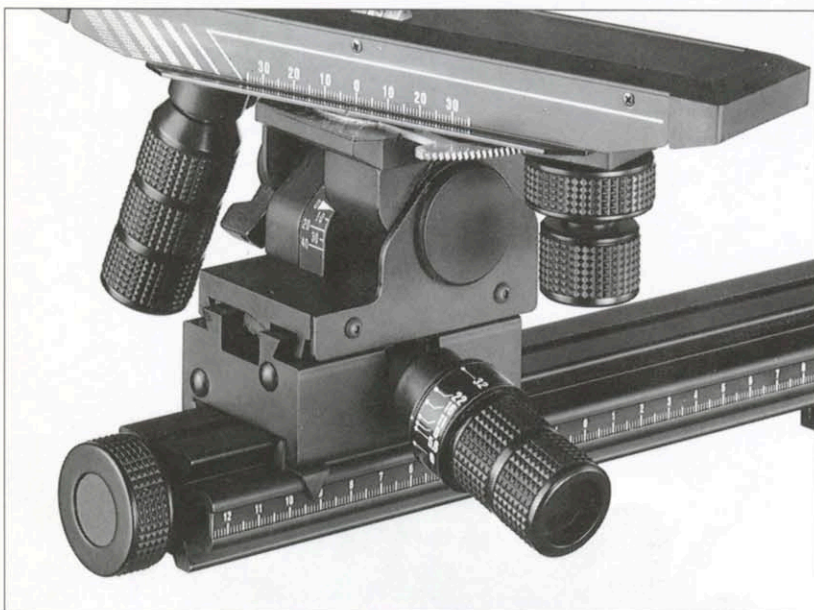
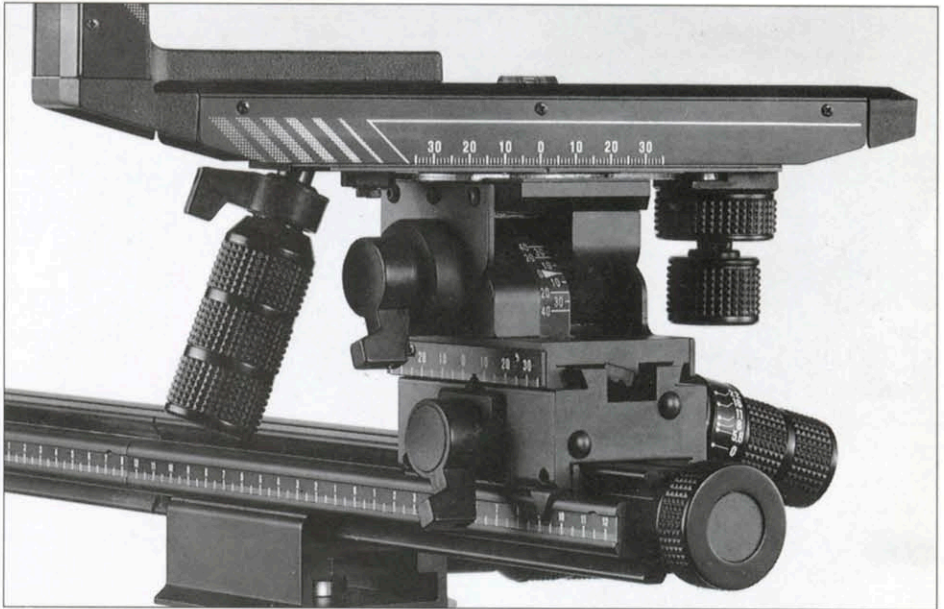
Cambo's built-in "depth-of-field computer" lets you control the field of critical sharpness for each image you create--simply, precisely and quickly. This scientifically calculated, 4-step procedure also determines the best aperture--without guesswork or unpleasant surprises!



Variable Axis Tilts

This new convenient movement, which allows the front and rear standard to slide up 40 mm along the lens and film plane, offers two advantages.

You can choose "off-centre-tilts", to have better control on adjusting the sharpness plane from vertical to horizontal inclined subject planes. Now you can shift your tilt axis to the most convenient position on the ground glass. And "focal plane rise" can be done without need to re-focus, you can shift the ground glass along its axis without getting out of focus at any point!



Fast, Accurate Focusing:

Cambo's unique monorail design combines maximum structural support with maximum focusing efficiency. A dual-range fine/coarse focusing system allows for EITHER quick-sliding, friction-free, standard movement for fast subject or focal length changes, OR precision smooth, geared fine-focusing especially helpful in critical close-up situations--without obstruction from the camera's mounting block! Teflon-filled gears and slide-bars provide low friction, non-wearing action that withstands years of consistent use.

Cambo Master Plus Features:

- Precision geared controls for swing, tilt and shift movements
- Yaw-free vertical-axis-priority AND optical-axis tilt controls
- Unique L-frame design offers fast, single-handed operation and timesaving on-axis swings and tilts
- Minimum flange distance between front- and rear standard does not require a recessed lensboard
- Easy-to-read scales and "zero position" click-stop detents for convenient repeatability and referencing
- Extremely rigid monorail with extension capabilities
- Standard "split-monorail" for increased portability and wide angle convenience
- Black synthetic carrying case standard included with camera for shock-resistant and convenient travelling
- Dual-range focusing system for precise, fine focusing AND quick, coarse focusing
- Variable horizontal tilt axis
- Convenient "depth-of-field" computer for optimum focus control of close-ups
- International back accepts all "Graflock" roll film backs
- Quick conversion from vertical to horizontal formats
- Easy loading back release provides safe film holder insertion- -without moving the camera
- Prontor Professional Shutter System compatible back
- Compatible with Cambo's versatile accessory system
- Heavy-duty die-cast metal construction
- One-year warranty

Technical Specifications:

4x5"/9x12 cm

Base Tilt (Yaw):	+40°/-40°
Tilt (Front/Back):.....	+35°/-35°
Swing (Front/Back):.....	+30°/-30°
Lateral Shift (Front/Back):	70 mm
Rise and Fall (Front/Back):	70 mm
Fine Focus Range (Front/Back):.....	64 mm
Variable Axis Shift:	40 mm
Maximum Extension:..... (w/standard bellows)	380 mm (15")
Minimum Extension:..... (w/standard bellows)	50 mm (2")
Weight:	7,4 kgs (16.5 lbs)



Cambo 3-D Gearhead

Will support any camera weighing up to 25 kgs (55 pounds) and provides precision smooth movements when mounted to any studio stand or tripod with universal 3/8" screw mount base. The 3-D Gearhead features 180° geared tilt movements, 180° side-tilt and 360° pan rotation. Weight: 2,5 kgs (5 pounds).



Technical specifications can be changed without notice

<p>CAMBO FOTOGRAFISCHE INDUSTRIE BV</p> <p>P.O.Box 200, 8260 AE Kampen / Holland Telefoon (05202) 14644 Telefax (05202) 15110</p>	
--	--