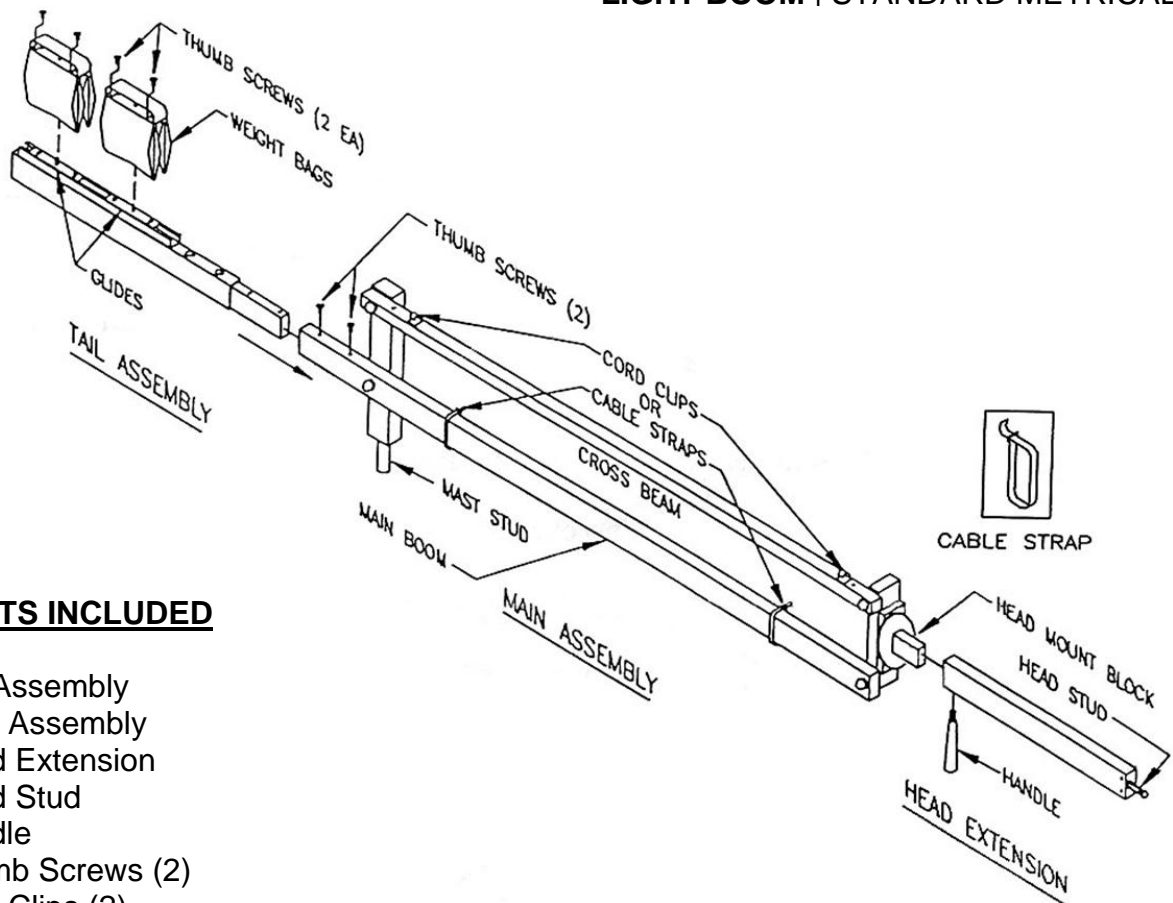




LIGHT BOOM | STANDARD METRICAL



PARTS INCLUDED

Tail Assembly
Main Assembly
Head Extension
Head Stud
Handle
Thumb Screws (2)
Cord Clips (2)
Cable straps (2)
Weight Bag (2)

ASSEMBLY INSTRUCTIONS

1. Slide Tail Assembly into Main Assembly and install 2 Thumb Screws.
2. Slide Head Extension onto Mount Block.
3. Install Handle into bottom hole of Head Extension.
4. Attach Weight Bags onto Glide and secure using the four Thumb Screws provided.

SET UP INSTRUCTIONS

1. Insert Mast Stud of Light Boom into 1 1/8" Socket of Heavy-duty Boom Stand.
2. Mount Light Head onto Head Stud.
3. Use Cord Clips or Cable Straps to attach Power Cable to Main Beam or Cross Beam.
4. Loosen Weight Bag Thumb Screws and reposition bags in Track to counter-balance weight of Lights.



LIGHT BOOM | STANDARD METRICAL

WEIGHT BAG FILL INSTRUCTION

1. Pull open the closure tabs at the bottom of weight bag.
2. Insert a funnel into slotted opening.
3. Pour in lead shot to desired level. Pour in an equal amount into the other side of the bag.

Note: Lead shot is recommended for fill, but steel shot could also be used. Do not use sand, as it will not provide enough weight.

For Red Wing Standard (Full-size): 2 bags

* Fill each side to about 2.8 kg (5.6 kg/bag) \approx 6.25 lbs (12.5 lbs/bag)

For Red Wing Compact: 1 bags

* Fill each side to about 3.4 kg (6.8 kg/bag) \approx 7.5 lbs (15 lbs/bag)

4. After filling, press closure tab down tightly.